



Economic Digital Outdoor Transmitter

FNJ-EOT-01



Version 1
2019



Description

FNJ-EOT-01 is an economic Full Outdoor transmitter for TV coverage of rural areas, where building a station is neither economical nor possible. The system can receive DVB-T/T2/S/S2/S2X signals (Based on the configuration) and transmit DVB-T/T2/2T signals with 4W nominal power (Up to 10 W based on the order). The receiver of the system sends the received signals to the modulator based on the user-defined frequency channel. Afterwards the modulator output is sent to the amplifier and finally the signals would be transmitted on the specified channel on UHF band. This system can also be used as a UHF band relay for repeating a DVB-T2 or two DVB-T signals. For rural areas without power mains or infrastructure, the transmitter can be powered with a solar panel and installed with different types of antenna and accessories on a simple tower.

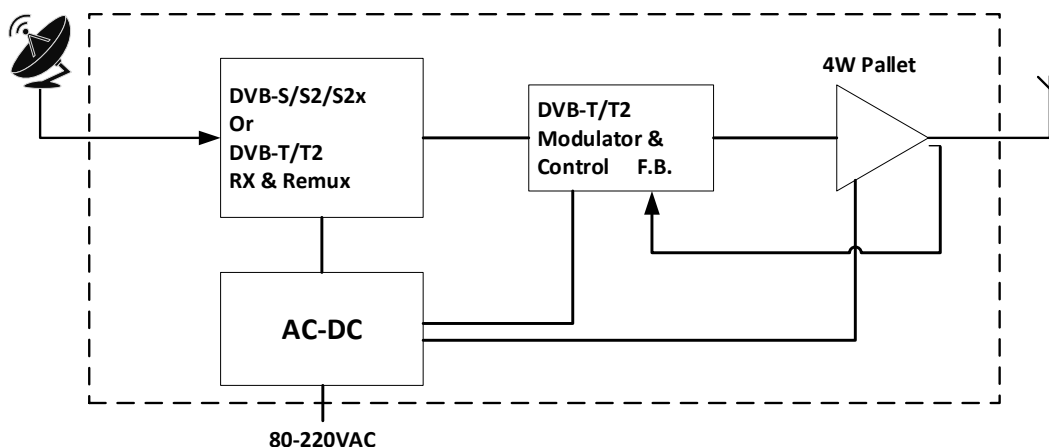


Features

- TV coverage for rural areas
- Economic solution for digital TV
- UHF/VHF support
- Capable of receiving different terrestrial or satellite signals
- Monitoring and control via WEB, NMS or SNMP
- Fanless Air Convection
- Monitoring and control via Wi-Fi and GSM
- Off-grid function with solar cell



Block Diagram





Technical Descriptions

➤ Technical Specifications

• TX & RX

▪ Input

Input Freq.	950~2150MHz/470~860MHz
Rx Connector	F-type (F)
Input Signal Modulation	DVB-S/S2/S2x * 2 or DVB-T/T2 * 2
RX Antenna	Yagi or Reflector Antenna
Input Sensitivity (DVB-T/T2)	-92dBm for (QPSK, CR = 1/2, GI = 1/8) -89dBm for (16-QAM, CR = 1/2, GI = 1/8) -86dBm for (64-QAM, CR = 1/2, GI = 1/8) -82dBm for (256-QAM, CR = 1/2, GI = 1/8) -76dBm for (256-QAM, CR = 4/5, GI = 1/128)
Input Sensitivity (DVB-S/S2)	-65dB

▪ Output

Output Frequency	470~860MHz
Output Power	1~10W
TX Antenna	Microstrip Patch Antenna, Panel Antenna, LDPA, Discone

Modulation (DVB-T2)

Modulation Mode	Single PLP, Multi-PLP
Bandwidth	8MHz
FFT Size	1K, 2K, 4K, 8K, 16K, 32K (including extended modes)
Guard Interval	1/32, 1/16, 1/8, 1/4, 1/128, 19/128, 19/256
Constellation	QPSK, 16QAM, 64QAM, 256QAM
Interleaving	Time, Frequency, Cell
Max. Throughput	50.34 Mbps

• Control & Monitoring

Remote Connection Port	Wi-Fi(10/100 Base-T), GSM & 3G
Remote User Interface	WEB, SNMP v1/v2/v3

• Physical

▪ Power Requirement

Operating Voltage	88~264VAC
Power Consumption	50W max
Power Entry Connector	Circular 10 pin

▪ Dimension & Weight

Weight	6 kg (without Antenna)
Dimensions (W x H x D)	28x28x15(cm) Outdoor

▪ Environmental

Operating Temperature	-20 ~ +50 °C
Storage Temperature	-30 ~ +55 °C
Relative Humidity	95% (Non-condensing)

▪ Compliance

DVB	ETSI 300744 – ETSI 302755
ASI	DIN EN 500083-9
SFN	ETSI TS 101 191
Environmental Conditions	EN 300 019-1-3 V2.3.2 (2009-11) Class 3.3
Power Supply:	
Safety	UL60950-1, CCC GB4943, TUV EN60950-1
EMC	EN55022 Class B, EN61000-6-2, EN61000-3-2/3, EN61000-4-2/3/4/5/6/8/11

• Ordering

Model	Max. Output power(W)	Product Type
FNJ-EOT-2W-S	2	DVB-T/T2 Compact Transmitter with DVB-S/S2 Receiver
FNJ-EOT-4W-S	4	DVB-T/T2 Compact Transmitter with DVB-S/S2 Receiver
FNJ-EOT-10W-S	10	DVB-T/T2 Compact Transmitter with DVB-S/S2 Receiver
FNJ-EOT-2W-T	2	DVB-T/T2 Compact Transmitter with DVB-T/T2 Receiver
FNJ-EOT-4W-T	4	DVB-T/T2 Compact Transmitter with DVB-T/T2 Receiver
FNJ-EOT-10W-T	10	DVB-T/T2 Compact Transmitter with DVB-T/T2 Receiver



Contact Information



Email: sales@fanamoj.com



Tel: +98 21 22649616



Fax: +98 21 22205492



Address: No 17, South Ghalandari Ave, Sadr Hwy., Tehran, Iran



Telegram: @Fanamoj