

# FNJ-RF RF Probe

## TV Signal Analyzer System



## Product Description

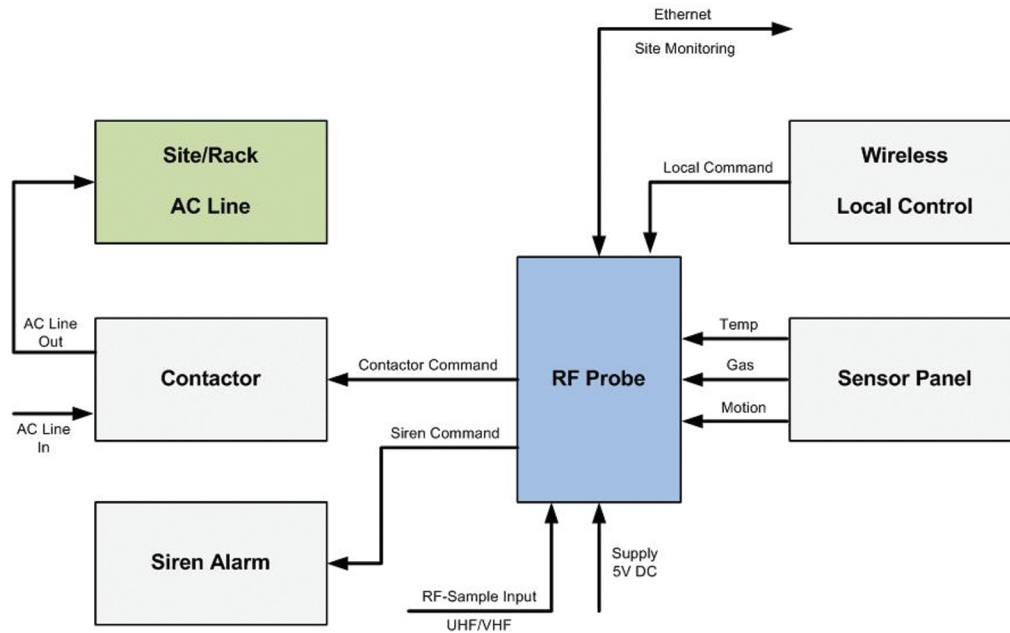
FNJ-RF-Probe has been designed for permanent monitoring and control of TV stations. In this system bitrates, power level and other important parameters of signal based on DVB-T/T2 and DVB-S/S2 are visible and it is possible to warn operator, invalid values of mentioned parameters with pre-set threshold values. Input signal can arise from environment (like signals from transmitter in the station) or sample signal from transmitter output in the station. In case of signal loss (More than pre-set value) an alarm is sent to control center in province capital in order to decide based on the situation. The decision can reset or turn on/off station power supply by RF-Probe and system contactor. Furthermore, the device is capable of simultaneous analyze of 4 frequency channels (capable of adding more).

The Integrated contactor in the system makes it capable to function in single phase 25A with two channels or three phase 14A in one channel. This feature enables the user to switch on/off the station or rack by just sending a SMS to monitoring sub rack and no operator is necessary in the station for such actions.

The system has smoke, temperature and movement sensors that in case of fire, high temperature and unlawful entry, different safety and preventive actions (Activating Sirens and flashers, Alert SMS etc.) would be done.

For maintenance purposes system logs different parameters (Bitrate, Temperature, Signal level, Input, Output) of the station in certain intervals.

## Block Diagram



## System components:

- RF probe device
- Temperature and smoke sensor
- Motion sensor
- Remote controller for turning sensors on or off
- Relay and contactor for power supply control
- Siren and flashers

## Rear Panel



### System features with FM Receiver (option)

- FM signal identification on defined frequencies by user
- Capable of showing received signal strength indication (RSSI)
- Capable of showing signal to noise ratio
- Capable of extracting and showing RDS data
- Capable of playing transmitted voice on the selected frequency by user

## Technical Specifications

Power Supply	Adaptor 5V
<b>INPUT</b>	<b>INPUT</b>
DVB-T/T2 RF Input	RF Frequency Range : VHF/UHF
DVB-S/S2 RF Input	Level -70dBm~ -25dBm
Temp & Smoke Sensor Signal	RF Frequency Range : 950/2150 MHz
Action Sensor Signal	Level -92dBm~ -10dBm
Remote Controller Signal	MQ-2Module (Sensitive to H2, LPG, CH4, CO, Alcohol, Smoke or Propane)
	Detection Distance : 12m max(<24°C)
	Ambient Light: <3-2000LUX(adjustable)
	Detection Motion Speed: 0.6-1.5m/s
	FSK MODE/433MHz
	Capable of exclusive coding for each station or province capital
<b>OUTPUT</b>	
ASIOUT	Capable of control of two single phase line 220V AC/25A
Alarm & Flasher	With a 3 phase line380/415V-14A
Relay & Contactor	